

# Rebs Pendant Light

---

LIGHTING

# JOON LOLOI

---

## **⚠ CAUTION**

**BEFORE INSTALLING FIXTURE, MAKE SURE THE POWER TO THE CIRCUIT IS TURNED OFF AT THE MAIN FUSE BOX / CIRCUIT BREAKER UTILITY BOX.**

## **⚠ IMPORTANT SAFETY INSTRUCTIONS**

- These instructions are provided for your safety. It is very important that they are read carefully and completely before beginning the installation of this lighting fixture.
- We strongly recommend that a professional electrician install all direct wire fixtures.
- THIS PRODUCT MUST BE INSTALLED IN ACCORDANCE WITH THE APPLICABLE INSTALLATION CODES BY A PERSON FAMILIAR WITH THE CONSTRUCTION AND OPERATION OF THE PRODUCT AND THE HAZARDS INVOLVED.
- This lighting fixture has been rated for up to six (6) 60 WATT maximum E12 bulbs (not included).
- The lighting fixture is meant for indoor use. It must be connected only to 3 wire, single phase electrical supply systems (provided with ground wire or equivalent protection).
- For your safety, it is strongly recommended that two people install the lighting fixture.
- To avoid the risk of fire, do not exceed the recommended lamp wattage.
- The lighting fixture is meant for indoor use, DRY LOCATIONS ONLY.
- Save these instructions.

## **⚠ WARNING**

- **To reduce the risk of fire, electrical shock or personal injury, always turn off light fixture and allow it to cool prior to replacing light bulb.**
- **Do not touch bulb when fixture is turned on. Do not look directly at lit bulb.**
- **Keep flammable materials away from lit bulb.**
- **This lighting fixture contains lead, a chemical known to the State of California to cause cancer, birth defects and other reproductive harm. Wash hands after installing, handling, cleaning or otherwise touching this light fixture.**

## **PRE-ASSEMBLY INSTRUCTIONS**

Remove all parts and hardware from box along with any plastic protective packaging.

Do not discard any contents until after assembly is complete to avoid accidentally discarding small parts or hardware.

For your safety and convenience, assembly by two people is recommended.

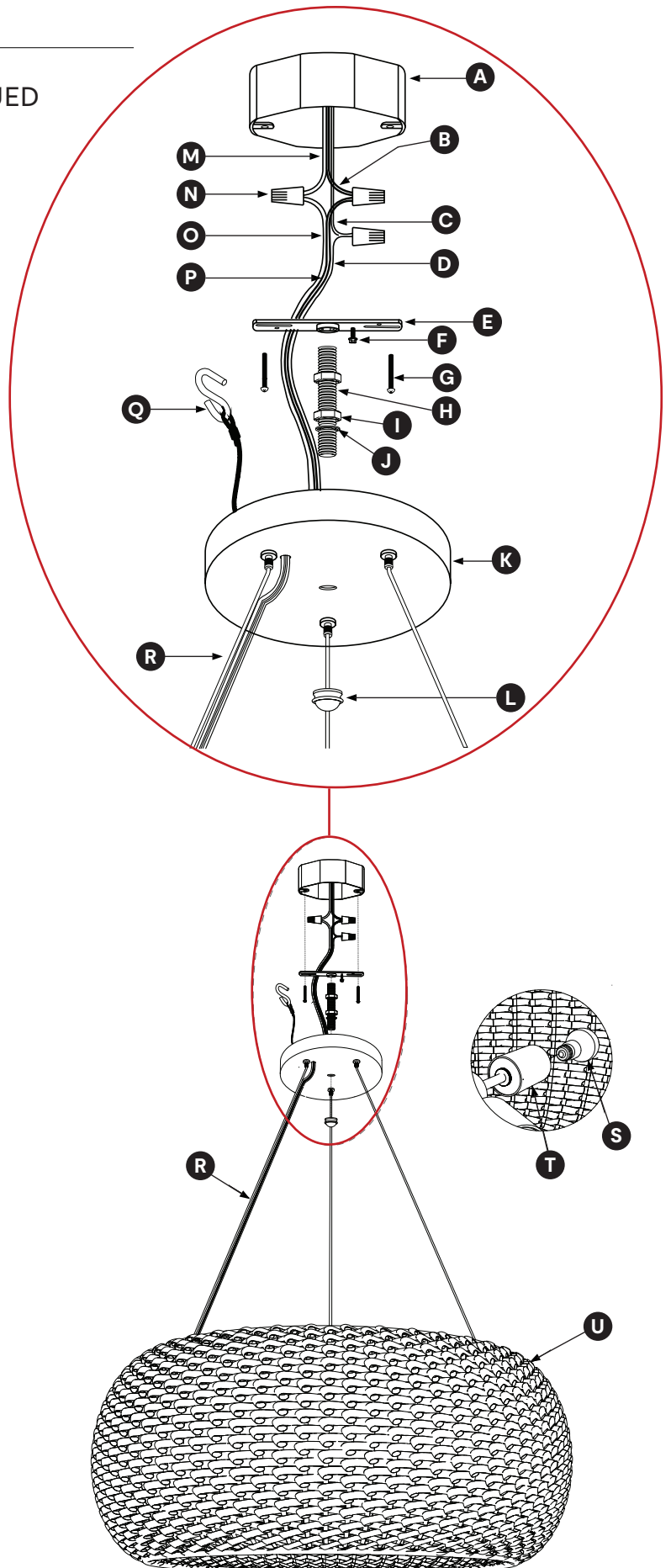
## **TOOLS REQUIRED (NOT INCLUDED)**

Ladder, Phillips Head & Flat Blade Screwdrivers, Pliers, Wire Cutter/Stripper & Electrical Tape.

# JOON LOLOI

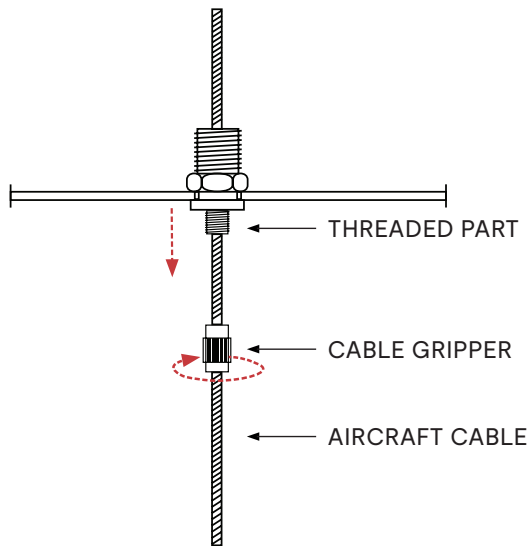
## PRE-ASSEMBLY INSTRUCTIONS CONTINUED

HARDWARE & PARTS INCLUDED		
ID	DESCRIPTION	QTY
<b>A</b>	CEILING OUTLET/ JUNCTION BOX	1
<b>B</b>	HOT JUNCTION BOX WIRE	1
<b>C</b>	GROUND JUNCTION BOX WIRE	1
<b>D</b>	GROUND FIXTURE WIRE	1
<b>E</b>	CROSSBAR	1
<b>F</b>	GREEN GROUND SCREW	1
<b>G</b>	J-BOX MOUNTING SCREWS	2
<b>H</b>	THREADED NIPPLE	1
<b>I</b>	HEX NUT	2
<b>J</b>	LOCKWASHER	1
<b>K</b>	CANOPY	1
<b>L</b>	LOCK FINIAL	1
<b>M</b>	NEUTRAL JUNCTION BOX WIRE	1
<b>N</b>	PLASTIC WIRE CONNECTOR	3
<b>O</b>	NEUTRAL FIXTURE WIRE	1
<b>P</b>	HOT FIXTURE WIRE	1
<b>Q</b>	S-HOOK WITH AIRCRAFT CABLE	1
<b>R</b>	AIRCRAFT CABLE SET	3
<b>S</b>	BULB	1
<b>T</b>	THREADED SOCKET	1
<b>U</b>	LIGHT FIXTURE	1



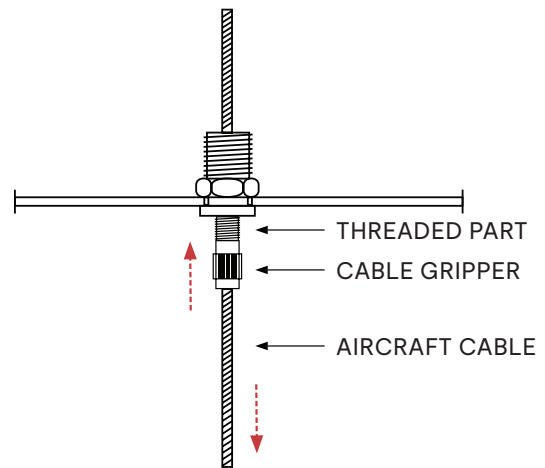
\*The drawing shown is for illustration purpose only,  
and may vary from actual product.

## HOW TO ADJUST LENGTH OF AIRCRAFT CABLE:



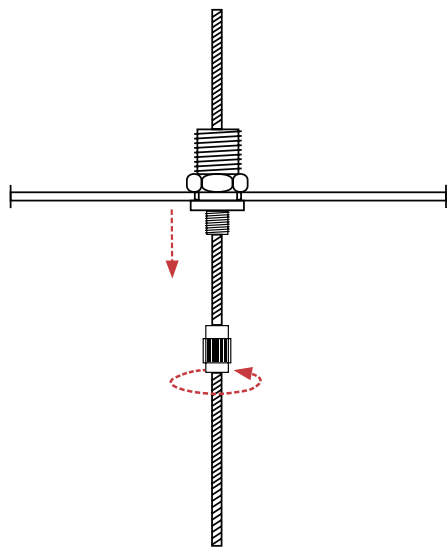
### STEP 1:

Unthread the CABLE GRIPPER by turning it clockwise.



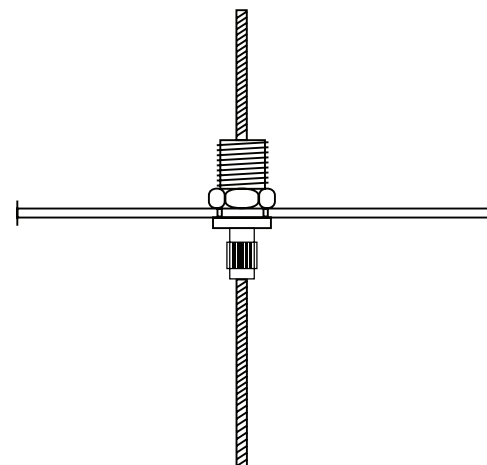
### STEP 2:

Press the CABLE GRIPPER against the THREADED PART. Slide it up or down the AIRCRAFT CABLE to adjust the chandelier height.



### STEP 3:

Secure AIRCRAFT CABLE into place by turning the CABLE GRIPPER counterclockwise.



### STEP 4:

AIRCRAFT CABLE assembly is complete.

## ASSEMBLY INSTRUCTIONS

1. SHUT OFF THE MAIN ELECTRICAL SUPPLY FROM THE MAIN FUSE BOX/CIRCUIT BREAKER!
2. Carefully unpack all fixture parts and hardware and lay them out on a clear workspace.
3. After adjusting the suspension length of the fixture. With the help of another person to hold the weight of the chandelier, attach **S-HOOK WITH AIRCRAFT CABLE (Q)** located on the **CANOPY (K)** to the **CROSSBAR (E)**.
4. Gently pull the existing wires down from the ceiling junction box and allow them to hang. Attach the **CROSSBAR (E)** to the ceiling outlet box using the **J-BOX MOUNTING SCREWS (G)**. Align the slots of the **CROSSBAR (E)** with the two threaded holes located on the J-Box. Use a screwdriver to tighten each screw until the **CROSSBAR (E)** is firmly secured to the J-Box.
5. Position the **LOCK WASHER (J)** and **HEXNUT** on the lower portion of the **THREADED NIPPLE (H)** and another **HEXNUT** on the upper portion of the **THREADED NIPPLE (H)**.
6. Screw **THREADED NIPPLE (H)** on the CROSSBAR and tighten with **HEXNUT (I)** using a hex wrench or a pair of pliers.
7. Carefully inspect the fixture wires. The **NEUTRAL FIXTURE WIRE (O)** has FINE LONGITUDINAL RIDGES running along its length. The **HOT FIXTURE WIRE (P)** is SMOOTH, and the bare copper wire is the **GROUND WIRE**. If you have any doubts and cannot identify the powersupply wires with confidence, we recommend that you ask an electrician and not continue with the installation.
8. Carefully inspect the outlet/junction box wires. The HOT or LIVE wire is usually black. The **NEUTRAL WIRE (O)** is usually white. Check to see if there is a ground wire that is usually green or green with a yellow stripe or exposed copper metal wire. If needed, use a pair of wire strippers to remove about 1/2 inch of insulation from each wire.
9. Attach the **GROUND WIRE (D)** from the fixture to the **GROUND JUNCTION BOX WIRE** from the ceiling outlet junction box (J-box) (usually green insulation or bare wire). Fasten each together with a **PLASTIC WIRE CONNECTOR** by twisting the connector in a clockwise direction and wrapping the connection with electrical tape. Be sure that no wire strands are exposed. If your outlet junction box DOES NOT have a **GROUND WIRE (D)**, be sure to insert the **GREEN GROUND SCREW (F)** into the **CROSS BAR (E)**, marked as "GND," facing downward, and wrap the fixture's bare ground wire around the **GREEN GROUND SCREW (F)**. Tighten the screw to clamp the ground wire between the ground screw head and Crossbar. IT IS IMPERATIVE THAT THE JUNCTION BOX IN YOUR HOME BE PROPERLY GROUNDED!
11. Connect the **NEUTRAL FIXTURE WIRE (O)** to the **NEUTRAL JUNCTION BOX WIRE (M)** (usually white insulation). Fasten each together with a **PLASTIC WIRE CONNECTOR (N)** by twisting the connector in a clockwise direction and wrapping the connection with electrical tape. Be sure that no wire strands are exposed.

# JOON LOLOI

---

## ASSEMBLY INSTRUCTIONS

12. Connect the **HOT FIXTURE WIRE (P)** to the **HOT JUNCTION BOX WIRE (B)** (usually black insulation). Fasten each together with a **PLASTIC WIRE CONNECTOR (N)** by twisting the connector clockwise and wrapping the connection with electrical tape. Be sure that no wire strands are exposed. **DO NOT REVERSE THE HOT AND NEUTRAL CONNECTIONS, OR SAFETY WILL BE COMPROMISED.**
13. Check the wiring connections, and if all looks good, gently tuck the wire connections neatly into the ceiling outlet junction box.
14. Line-up hole on the **CANOPY (K)** with the **THREADED NIPPLE (H)** and pass through until the **CANOPY (K)** is flushed to the ceiling. Secure **CANOPY (K)** into place with **MUSHROOM NUT.**
15. Screw six (6) 60 watt E12 light bulbs (not included) into the **THREADED SOCKETS.** Ensure bulb never exceeds maximum wattage specified on fixture's wattage rating label.
16. Restore power to the ceiling outlet junction box and test fixture.
17. Installation is complete.

## CARE INSTRUCTIONS

- Wipe clean with a soft, dry cloth or static duster.
- Always avoid the use of harsh chemicals or abrasive cleaners as they may cause damage to the fixture's finish.